



Your Partner for:

- Material handling
- Transporting
- Custom built handling equipment

makes Material Handling easier ...

Battery Operated Stacker

Salient Features of EGV/EGI



Model: EGV

Cap: 1000-2000 kgs
Lift Height: 1600-6000mm

- Lift electro-hydraulic
- High capacity hydraulic systems
- Compact geared drive mechanism with Impulse control
- Polyurethane drive wheels
- Overload protection
- Battery discharge indicator
- Operating hours counter



Model: EGI

Cap: 2 x 1000 kgs
Lift Height: 1600-4800mm

BAKA LIFTEC (INDIA) PRIVATE LIMITED

A Joint-Venture with D.BADER SÖHNE GmbH & CO KG, Germany

Standard Specifications

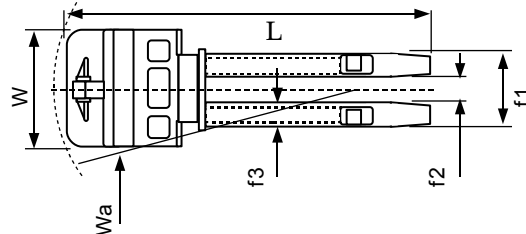
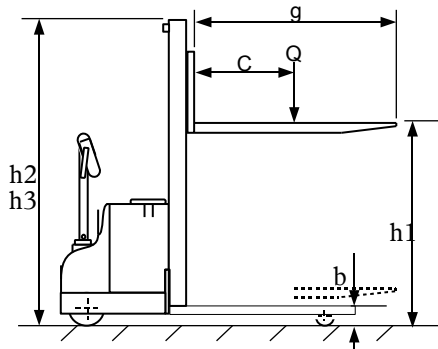
Model No			EGV 1000-	EGV 1250-	EGV 1600-	EGV 2000-	EGI 2000-
Q	Load carrying capacity *	kg	1000	1250	1600	2000	2 x 1000
C	Load centre	mm	600	600	600	600	600
g	Fork length	mm	1150	1150	1150	1150	1150
L	Total length	mm	1960	1980	1980	2000	2000
	Lowered height of forks	mm	90	90	90	90	90
b	Height of base / load arm	mm	80	80	80	80	80
	Wheel base	mm	1350	1350	1350	1350	1350
	Hydraulic pump motor	kW	2 kW upto 3.5 m lift height, 3 kW above 3.5 m				3 kW
	Lifting speed	mm/s	100	90	80	80	80
	Lowering speed	mm/s	180	180	180	180	180
	Drive motor	kW	0.9	0.9	1.6	2.0	2.0
	Travel speed (stepless)	km/h	0-6	0-6	0-6	0-6	0-6
	Gradient (with load/without load)	%	6 / 8	6 / 8	6 / 8	6 / 8	6 / 8

Special free Lift and Double Pallet Lift Models (EGI) also available

Special Sizes and Specifications on request.

Model No		Lift height	Closed mast height	Extended mast height	Mast	Total width	Width over forks	Distance betw. forks	Fork width	Turning radius
		h1	h2	h3		W	f1	f2	f3	Wa
-16	mm	1600	1980	1980	Single	865	570	250	160	1545
-24	mm	2400	1730	2880	Double	865	570	250	160	1545
-29	mm	2900	1980	3380	Double	865	570	250	160	1545
-35	mm	3500	2280	3980	Double	1050	570	250	160	1545
-45	mm	4500	2100	4930	Triple	1050	760	360	200	1652
-48	mm	4800	2280	5280	Triple	1050	760	360	200	1652
-60	mm	6000	2625	6565	Triple	1050	760	360	200	1652

*Load carrying capacity at maximum lift height would vary, depending on basic carrying capacity and lift height.



Battery	Battery Charger	Charging time	used for ...
24 Volt, 199 Ah	24 Volt, 30 A	Approx. 8 hrs	less load capacity
24 Volt, 270 Ah	24 Volt, 35 A	Approx. 8 hrs	higher load capacity

Optional Features and Attachments

- Die handling facility
- Lift Height Selector
- Tandem Load Wheels
- Battery Trolley
- Adjustable Forks
- Stand on Platform
- Over Head Guard
- Rear view mirror
- Revolving lights for travel Indication
- Reverse Alarm (Audio)
- Lifting and Lowering Control in the handle
- Roller Platform

Technical Specifications subject to change based on improvement in design without affecting the overall functioning of the equipment

BAKA LIFTEC (INDIA) PRIVATE LIMITED

Plot No. 8-B, Bommasandra Industrial Area, Anekal Taluk, Bangalore – 560099

Telefax: 080-27831906 Tel: 080-27832661, 27832839, 27835096

Email: bakalift@vsnl.net, bakalift@dataone.in

Website: www.bakaliftindia.com or www.baka.de